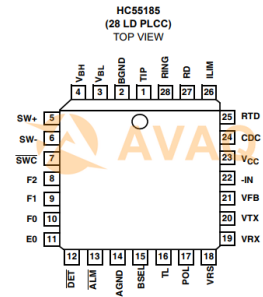


SLIC 1-CH 67dB 45mA 5V/-18V/-24V/-28V 28-Pin PLCC T/R

Manufacturer:	Renesas Technology Corp
Package/Case:	PLCC
Product Type:	Communication & Networking ICs
Lifecycle:	Obsolete

Pinouts



Images are for reference only

Inquiry

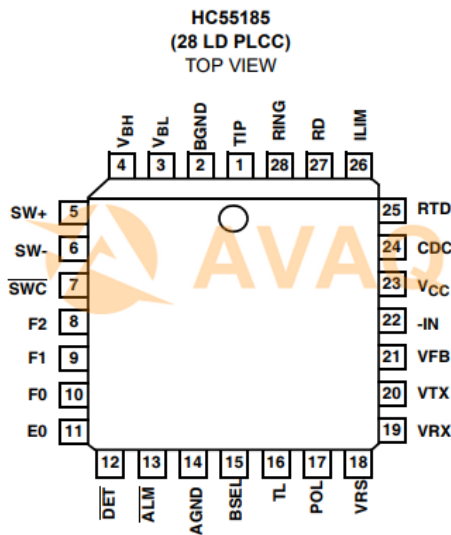
General Description

Avaq Semiconductor offers the highly versatile and reliable HC55185AIM96 driver, produced by Renesas Technology Corp. With its multifunctional and high-performance capabilities, this component is an excellent choice for a wide range of electronic projects.

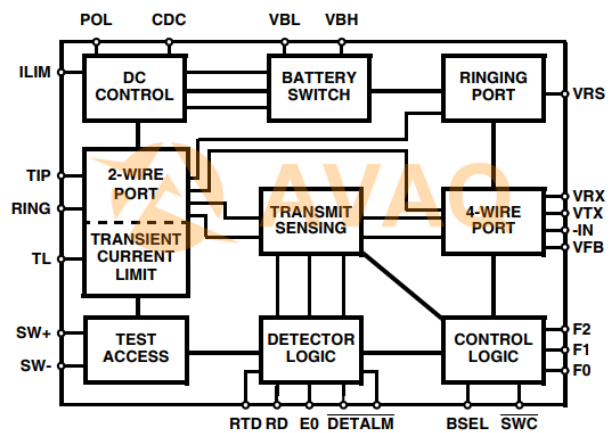
To ensure that you have all the necessary information to make the most of this component, Avaq provides a free datasheet PDF, as well as circuit diagrams, pin layouts, pin details, pin voltage ratings, and equivalent components for the HC55185AIM96.

Avaq also offers free samples. Simply fill out and submit the sample request form to receive your free samples for testing. If you have any questions, please feel free to contact us at ar

Pinouts



Block Diagram



Recommended For You

HC55185CIM
Renesas Technology Corp
PLCC28

HC5515CM
Renesas Technology Corp
PLCC28

HC55185DIM
Renesas Technology Corp
PLCC

HC55185AIM

Renesas Technology Corp
PLCC

HC9P5504B-5Z

Renesas Technology Corp
SOP24

HC55184ECMZ96

Renesas Technology Corp
PLCC

HC55121IMZ

Renesas Technology Corp
PLCC28

HC55231M

Renesas Technology Corp
PLCC

HC55185GIM

Renesas Technology Corp
PLCC-28

HC5526CP

Renesas Technology Corp
DIP

HC55130IM

Renesas Technology Corp
PLCC

HC55130IB

Renesas Technology Corp
SOP28

HC55182CIM

Renesas Technology Corp
PLCC

HC55185FCRZ

Renesas Technology Corp
QFN

HC55185FCR

Renesas Technology Corp
QFN