


RF Switch SP6T 400MHz to 3.8GHz 18-Pin QFN

Manufacturer:	Skyworks Solutions, Inc
Package/Case:	QFN
Product Type:	Switches
RoHS:	RoHS Compliant/Lead free 
Lifecycle:	Active

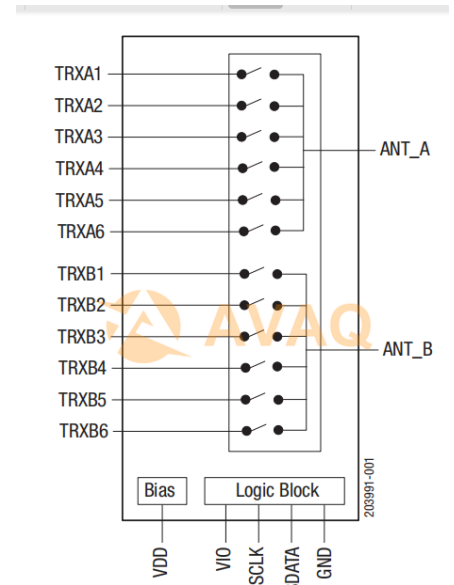


Figure 1. SKY13552-669LF Block Diagram

Images are for reference only

[Inquiry](#)

General Description

The SKY13552-669LF is a dual single-pole, six-throw (2xSP6T) Mobile Industry Processor Interface (MIPI) controlled antenna switch designed specifically for receive diversity in carrier aggregation applications.

The 2xSP6T switch is optimized for broadband performance. Using advanced switching technologies, the SKY13552-669LF maintains low insertion loss and high isolation for all switching paths. The high linearity performance and low insertion loss achieved by the SKY13552-669LF makes it an ideal choice for carrier aggregation applications in both main and diversity antenna switching. The switch also exhibits excellent second/third order intermodulation distortion (IMD2/IMD3) performance.

Switching is controlled by an integrated MIPI decoder. The two switches can be configured independently. There are separate registers for each SP6T. No external DC blocking capacitors are required on the RF paths as long as no DC voltage is applied to those paths.

The SKY13552-669LF is manufactured in a compact, 2.0 x 2.4 x 0.55 mm, 18-pin surface-mount Quad Flat No-Lead (QFN) package.

Key Features

- Broadband frequency range: 0.4 to 3.8 GHz
- Single, positive DC power supply (2.5 to 4.8 V)
- Integrated, programmable MIPI interface using separate registers for ANT_A and ANT_B bands
- Dual antenna ports can be connected externally to a diplexer
- Small QFN (18-pin, 2.0 x 2.4 x 0.55 mm) package (MSL1, 260 °C per JEDEC J-STD-020)

Application

- Smartphones
- Connected Homes
- 4G LTE

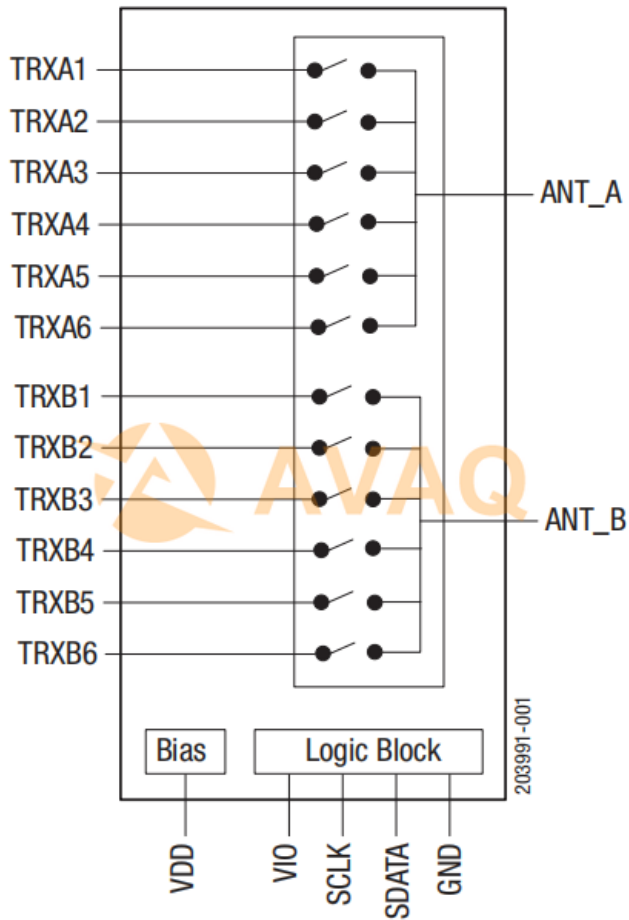


Figure 1. SKY13552-669LF Block Diagram

Recommended For You

SKY85712-21

Skyworks Solutions, Inc

QFN

SKY13373-460LF

Skyworks Solutions, Inc

QFN

SKY65404-31

Skyworks Solutions, Inc

QFN

SKY67151-396LF

Skyworks Solutions, Inc

QFN

SKY65723-81

Skyworks Solutions, Inc

DFN-6

SKY13320-374LF

Skyworks Solutions, Inc

QFN

SKY13415-485LF

Skyworks Solutions, Inc

QFN14

SKY13585-679LF

Skyworks Solutions, Inc

QFN

SKY85712-11

Skyworks Solutions, Inc

QFN

SKY13416-485LF

Skyworks Solutions, Inc

QFN

SKY13431-374LF

Skyworks Solutions, Inc

DFN6

SKY13372-467LF

Skyworks Solutions, Inc

QFN

SKY67150-396LF

Skyworks Solutions, Inc

DFN6

SKY13414-485LF

Skyworks Solutions, Inc

QFN

SKY65405-21

Skyworks Solutions, Inc

QFN