

NB7NPQ1004MMTGEVB

NB7NPQ1004MMTGEVB Evaluation Board User's Manual



ON Semiconductor®

www.onsemi.com

Introduction

The NB7NPQ1004MMTGEVB evaluation board was developed to provide a convenient platform to quickly verify the operation of the NB7NPQ1004M redriver in a USB type-A system environment.

This evaluation board manual contains:

- Information on the NB7NPQ1004M Evaluation Board
- Board Schematics
- Bill of Materials

Features

- Accommodates the Functional Evaluation of the Device
- Acts as a Reference Design that can Easily be Modified for Active Cables, UFP (Upstream Facing Port), DFP (Downstream Facing Port), and DRP (Dual Role Port) Applications
- Type-A Plug and Receptacle to Easily Place in the Existing System Environment
- On Board Control Pins for Adjusting Settings without Compromising Form Factor

Part Description

The NB7NPQ1004M is a 3.3 V quad channel, linear redriver for USB 3.1 applications that supports both 5 and 10 Gbps data rates. Signal integrity degrades from PCB traces and transmission cables which may cause inter symbol interference (ISI). The NB7NPQ1004M compensates for these losses by engaging varying levels of equalization at the input receiver. The output transmitter circuitry provides user selectable flat gain settings to create the best eye openings for the outgoing data signals. The flexibility of this part allows it to fit into many system applications.

After power up, the NB7NPQ1004M periodically checks both of the TX output pairs of each port for a 50 Ω termination for a Super Speed USB receiver. When the receiver is detected on either channel of a port, the internal RX termination will be enabled of that respective channel. The port becomes active once both TX outputs have detected 50 Ω termination, and the NB7NPQ1004M is set to perform the redriver function. Port AB (channels A & B) and port CD (channels C & D) are independent of each other.

This manual should be used in conjunction with the device datasheet NB7NPQ1004M which contains full technical details on the device specifications and operation.

EVAl BOARD USER'S MANUAL

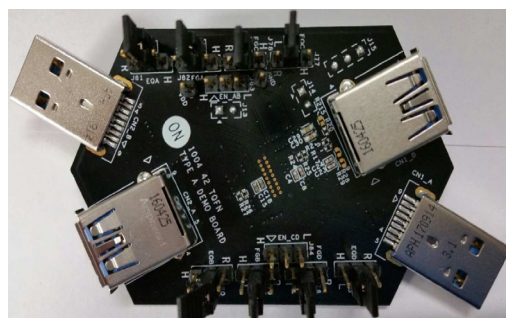


Figure 1. NB7NPQ1004M Demo Board
(Top View)

NB7NPQ1004MMTGEVB

BOARD MAP AND FUNCTIONAL SUMMARY

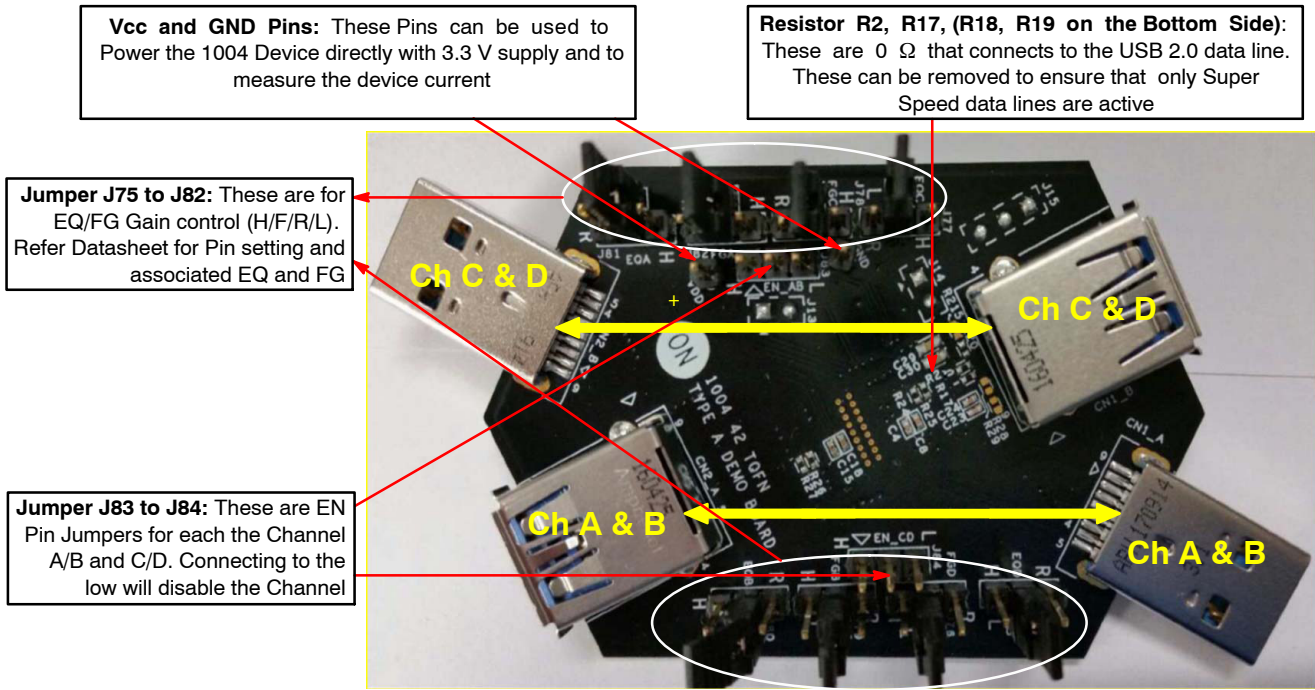


Figure 2. NB7NPQ1004M Evaluation Board (Top View)

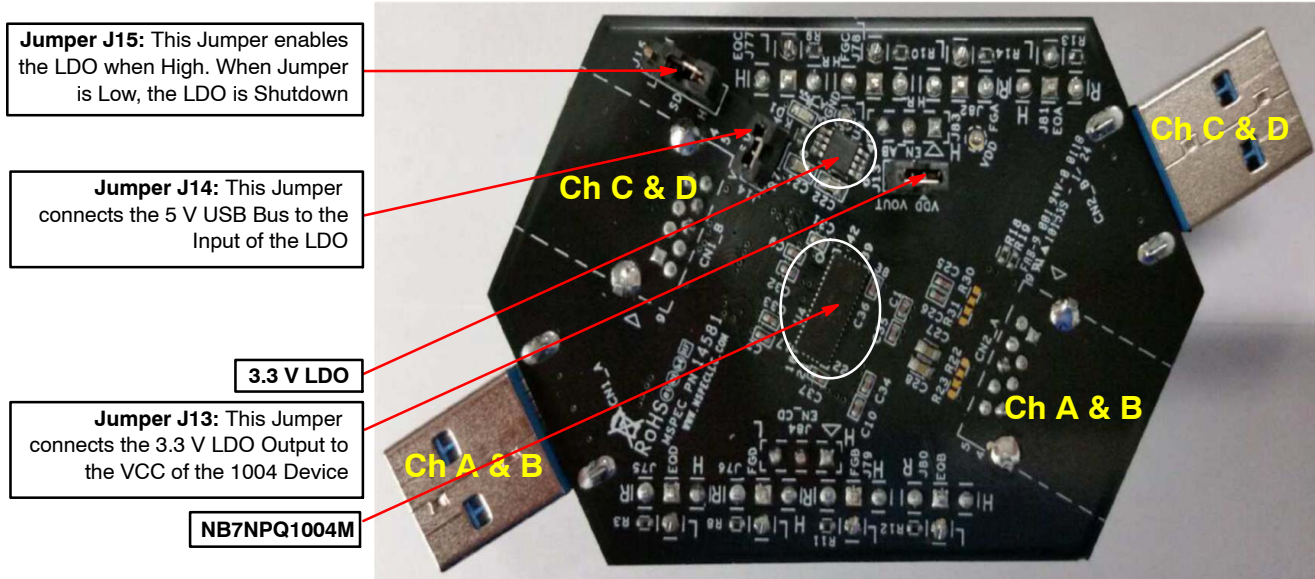


Figure 3. NB7NPQ1004M Evaluation Board (Bottom View)

NB7NPQ1004MMTGEVB

Select Power Source

The NB7NPQ1004MMTGEVB has the flexibility to be powered through USB's VBUS, or an external power supply. Table 1 and Figure 4 describe the jumper settings for each of the configuration.

Monitoring Current / Power

There are two easy ways to monitor the current consumed by the redriver. If you are using an external power supply, you can simply use the current meter commonly found on the power supplies. If you would like to use a current probe, simply solder the probe between the VCC pin and the power supply. This will allow monitoring of the NB7NPQ1004M's current consumption.

USB 2.0 Data Lines

The USB 2.0 lines can be disconnected by removing the 0 Ω resistors R2, R17, R18 and R19 on the D+ and D- lines.

This is useful if you cannot easily tell whether the downstream facing port has acknowledged a Super Speed (+) connection with the inserted loss, or if it stepped down to High Speed data rates. When a receiver is detected through RxDetect, the DFP will initialize link training. It will send a test signal out at the highest data rate and expect to see the same signal sent back by the UFP. If the signals do not match due to ISI (or any other connection issues) then it will drop down the data rate to USB 2.0 speeds.

On Windows machines, an easy way to tell that a Super Speed connection was not established is to look for a pop up in the task bar letting the user know that "This device can perform faster". A disk benchmarking tool like Crystal Disk Mark that lets you test read and write speeds to a peripheral storage can also be used.

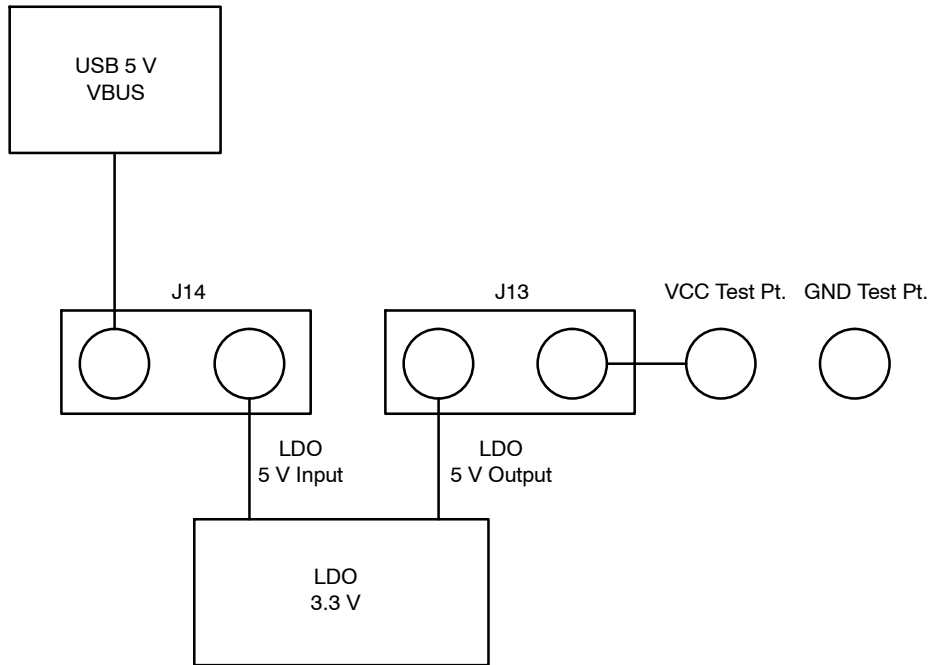


Figure 4. Power Source Selection

Table 1. SELECTING A POWER SOURCE

USB VBUS	Place jumper on J14 and J13
EXTERNAL SUPPLY	Open J14 and connect a positive lead of an external supply to VCC and apply 3.3 V. Ensure that GND is connected to ground and that current limit is set to 300 mA.

NB7NPQ1004MMTGEVB

COMPLETE BOARD SCHEMATICS

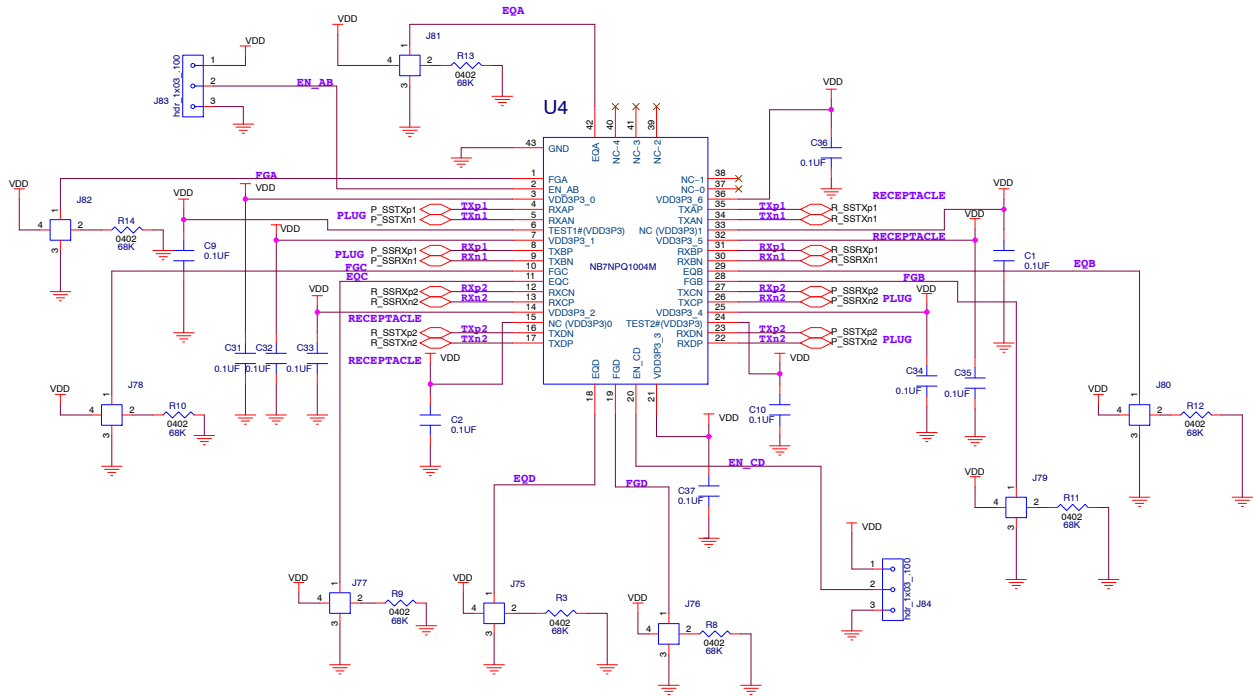


Figure 5. RE-Driver

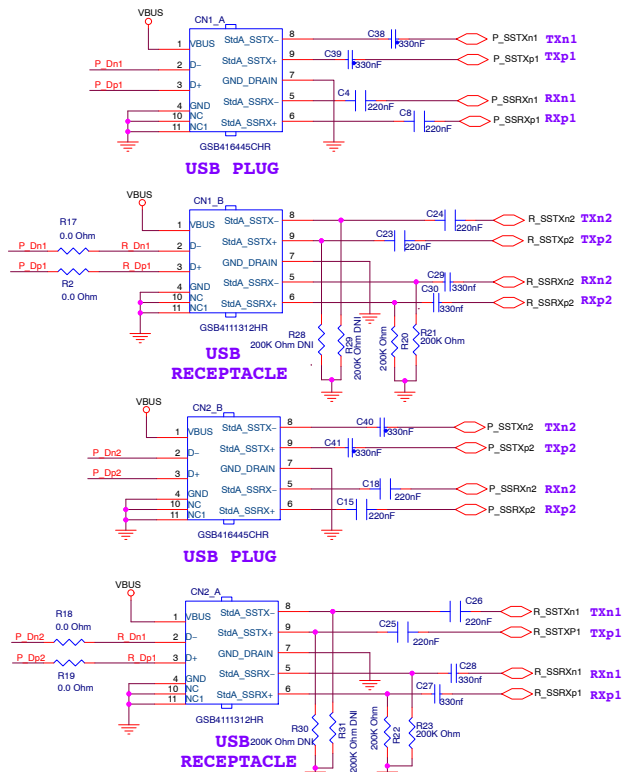


Figure 6. NB7NPQ1004M USB Type-A Evaluation Board Schematics

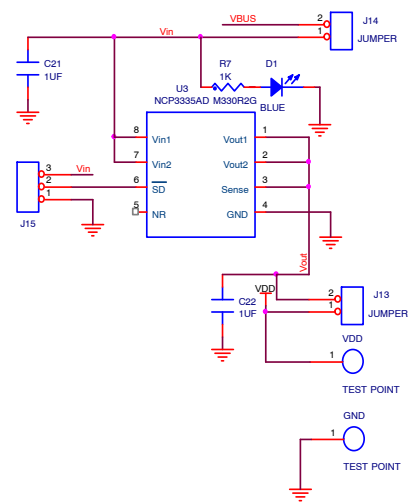



Figure 7. Power Supply Section

NB7NPQ1004MMTGEVB

BILL OF MATERIALS

Table 2. BILL OF MATERIALS

Sl. No.	Qty	Description	Reference	Manufacturer	Manufacturer PN
1	1	USB 3.1 Redriver	U4	ON Semiconductor	NB7NPQ1004M
2	1	3.3 V Voltage Regulator	U3	ON Semiconductor	NCP3335ADM330R2G
3	2	USB Type-A Receptacle	CN1_B, CN2_A	Amphenol Commercial Products	GSB4111312HR
4	2	USB Type-A Plug	CN1_A, CN2_B	Amphenol Commercial Products	GSB416445CHR
5	2	Capacitor 1 μ F (0603)	C21, C22	Samsung	CL10A105KA5LNNC
6	8	Capacitor 0.220 μ F (0402)	C4, C8, C15, C18, C23, C24, C25, C26	TDK	C1005X5R1C22M050BB
7	8	Capacitor 0.33 μ F (0402)	C27, C28, C29, C30, C38, C39, C40, C41	TDK	C1005X5R1C334K050BB
8	1	Blue LED	D1	Rohm Semiconductor	SMLE12BC7TT86
9	11	Header, 0.100"	J75 to J84, J15	Amphenol FCI	68001-203HLF
10	7	Header, 0.100"	J13, J14	Amphenol FCI	77311-118-02LF
11	4	Resistor 0.0 Ω (0402)	R2, R17, R18, R19	YAGEO	RC0402JA-070RL
12	8	Resistor 68 k Ω (0402)	R3, R8, R9, R10, R11, R12, R13	Panasonic	ERJ-2RKF6802X
13	8	Resistor 200 k Ω (0402)	R20 to R23, R28 to R31	Panasonic	ERJ-2RKF2003X
14	1	Resistor 1 k Ω (0402)	R7	Panasonic	ERJ-2RKF1001X
15	2	TEST POINT	TP1, TP2	Keystone	5016

ON Semiconductor and  are trademarks of Semiconductor Components Industries, LLC dba ON Semiconductor or its subsidiaries in the United States and/or other countries. ON Semiconductor owns the rights to a number of patents, trademarks, copyrights, trade secrets, and other intellectual property. A listing of ON Semiconductor's product/patent coverage may be accessed at www.onsemi.com/site/pdf/Patent-Marking.pdf. ON Semiconductor reserves the right to make changes without further notice to any products herein. ON Semiconductor makes no warranty, representation or guarantee regarding the suitability of its products for any particular purpose, nor does ON Semiconductor assume any liability arising out of the application or use of any product or circuit, and specifically disclaims any and all liability, including without limitation special, consequential or incidental damages. Buyer is responsible for its products and applications using ON Semiconductor products, including compliance with all laws, regulations and safety requirements or standards, regardless of any support or applications information provided by ON Semiconductor. "Typical" parameters which may be provided in ON Semiconductor data sheets and/or specifications can and do vary in different applications and actual performance may vary over time. All operating parameters, including "Typicals" must be validated for each customer application by customer's technical experts. ON Semiconductor does not convey any license under its patent rights nor the rights of others. ON Semiconductor products are not designed, intended, or authorized for use as a critical component in life support systems or any FDA Class 3 medical devices or medical devices with a same or similar classification in a foreign jurisdiction or any devices intended for implantation in the human body. Should Buyer purchase or use ON Semiconductor products for any such unintended or unauthorized application, Buyer shall indemnify and hold ON Semiconductor and its officers, employees, subsidiaries, affiliates, and distributors harmless against all claims, costs, damages, and expenses, and reasonable attorney fees arising out of, directly or indirectly, any claim of personal injury or death associated with such unintended or unauthorized use, even if such claim alleges that ON Semiconductor was negligent regarding the design or manufacture of the part. ON Semiconductor is an Equal Opportunity/Affirmative Action Employer. This literature is subject to all applicable copyright laws and is not for resale in any manner.

PUBLICATION ORDERING INFORMATION

LITERATURE FULFILLMENT:

Literature Distribution Center for ON Semiconductor
 19521 E. 32nd Pkwy, Aurora, Colorado 80011 USA
Phone: 303-675-2175 or 800-344-3860 Toll Free USA/Canada
Fax: 303-675-2176 or 800-344-3867 Toll Free USA/Canada
Email: orderlit@onsemi.com

N. American Technical Support: 800-282-9855 Toll Free
 USA/Canada
Europe, Middle East and Africa Technical Support:
 Phone: 421 33 790 2910

ON Semiconductor Website: www.onsemi.com

Order Literature: <http://www.onsemi.com/orderlit>

For additional information, please contact your local Sales Representative