


4Bit 1dBStep 15dB 2GHz 16-Pin SOIC

| | |
|----------------------|--|
| Manufacturer: | <u>MACOM Technology Solutions</u> |
| Package/Case: | SOP16 |
| Product Type: | RF Integrated Circuits |
| RoHS: | RoHS Compliant/Lead free  |
| Lifecycle: | Active |



Images are for reference only

[Inquiry](#)

General Description

MACOM's MAATSS0015 is a 4-bit, 1-dB step GaAs MMIC digital attenuator in a lead-free SOIC16-lead surface mount plastic package. The MAATSS0015 is ideally suited for use where high accuracy, fast switching, very low power consumption and low intermodulation products are required. Typical applications include radio, cellular, and wireless LANs, GPS equipment and other gain/level control circuits. The MAATSS0015 is fabricated with a monolithic GaAs MMIC using a mature 1-micron process. The process features full chip passivation for increased performance and reliability.

Key Features

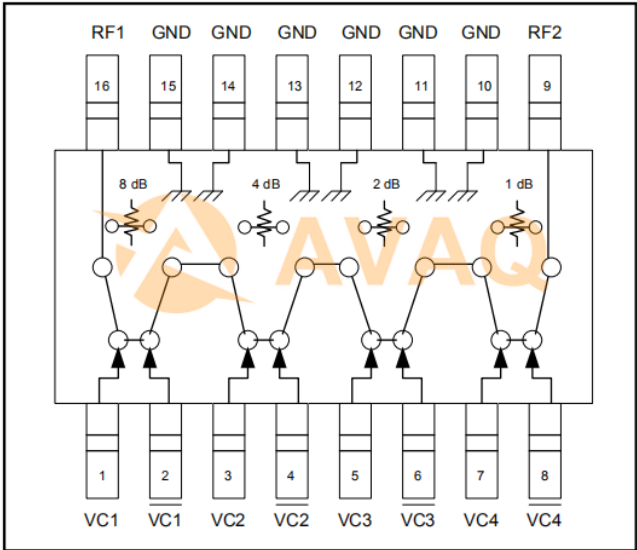
- 1-dB Attenuation Steps to 15 dB
- RoHS* Compliant Version of AT-210
- 260°C Re-flow Compatible
- Halogen-Free "Green" Mold Compound
- 100% Matte Tin Plating over Copper
- Lead-Free SOIC-16 Package
- Temperature Stability +/-0.15 dB: -40°C to +85°C
- Tape and Reel Packaging Available
- Low DC Power Consumption: 50 μW
- Low Intermodulation Product: +50 dBm IP3
- High Accuracy
- ISM
- Wireless Networking and Communication

Application

- Min Frequency: 0 MHz
- LSB: 1 dB
- Insertion Loss: 2 dB
- Bit Count: 4
- Attenuator Range: 15 dB
- IIP3: 50 dBm
- Max Frequency: 2,000 MHz



Functional Schematic



Recommended For You

MASW-007107-TR3000

MACOM Technology Solutions
PDFN-8

MAAD-007086-000100

MACOM Technology Solutions
SOP24

MAAD-000523-TR1000

MACOM Technology Solutions
QFN

MATI0030

MACOM Technology Solutions
SMD

MAATSS0017

MACOM Technology Solutions
SSOP16

MAAVSS0007TR

MACOM Technology Solutions
SOP-8

MATI0010

MACOM Technology Solutions
TSSOP

MATI0020

MACOM Technology Solutions
SOP16

MASW-000834-13560T

MACOM Technology Solutions
QFN

MASW-007921-TR3000

MACOM Technology Solutions
PDFN8

MA4SW210B-1

MACOM Technology Solutions
SMD

MA4SW410

MACOM Technology Solutions
SMD

MAAVSS0008

MACOM Technology Solutions
SOP8

MAATCC0007

MACOM Technology Solutions
SOP

MAAL-011130-TR3000

MACOM Technology Solutions
PDFN-8