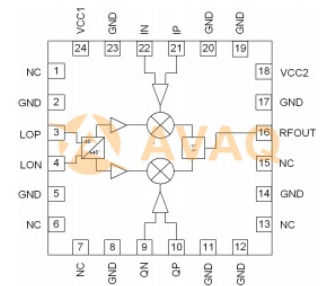


## Balanced Mod 32-Pin QFN EP T/R

<b>Manufacturer:</b>	<a href="#">Qorvo, Inc</a>
<b>Package/Case:</b>	QFN
<b>Product Type:</b>	RF Integrated Circuits
<b>RoHS:</b>	RoHS Compliant/Lead free



Images are for reference only

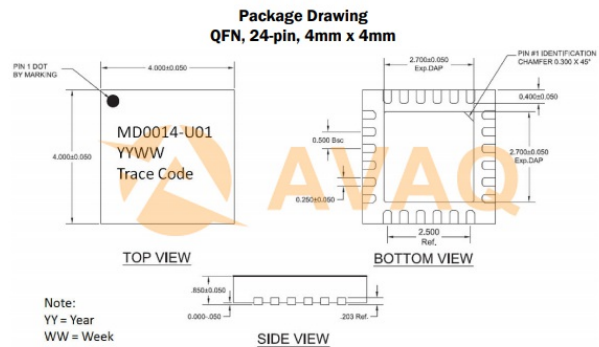
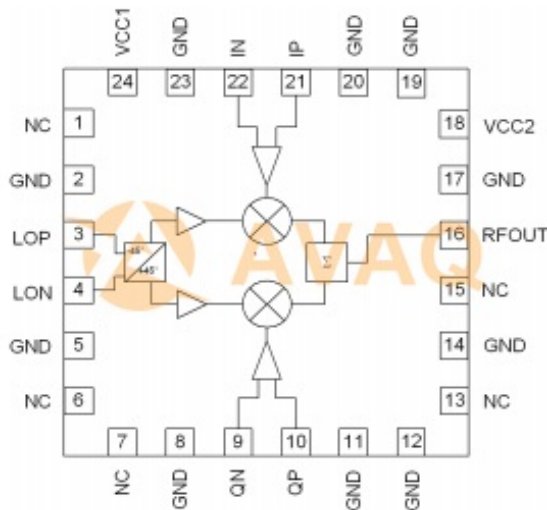
Inquiry

## General Description

Avaq Semiconductor offers the highly versatile and reliable RFMD2080TR13 driver, produced by Qorvo, Inc. With its multifunctional and high-performance capabilities, this component is an excellent choice for a wide range of electronic projects.

To ensure that you have all the necessary information to make the most of this component, Avaq provides a free datasheet PDF, as well as circuit diagrams, pin layouts, pin details, pin voltage ratings, and equivalent components for the RFMD2080TR13.

Avaq also offers free samples. Simply fill out and submit the sample request form to receive your free samples for testing. If you have any questions, please feel free to contact us at ar



## Recommended For You

<b>RF2051</b>	<b>RF2051SR</b>	<b>RFSA2013TR7</b>
Qorvo, Inc	Qorvo, Inc	Qorvo, Inc
QFN	QFN	QFN
<b>RFSA2013SR</b>	<b>RFFM6404TR13</b>	<b>RFPD3220</b>
Qorvo, Inc	Qorvo, Inc	Qorvo, Inc
NULL	LGA-28	PACK

**RFPP3870**

Qorvo, Inc

SMD

**RFSA2023TR7**

Qorvo, Inc

QFN

**RFSA2033TR7**

Qorvo, Inc

QFN

**RFSA3714TR13**

Qorvo, Inc

QFN

**RF6555**

Qorvo, Inc

QFN

**RFFM4554TR7**

Qorvo, Inc

QFN

**RFFM6907SR**

Qorvo, Inc

QFN

**RFFM8228P**

Qorvo, Inc

QFN

**RF5604**

Qorvo, Inc

BGA