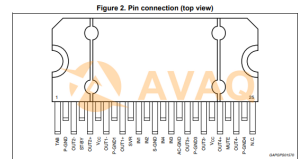


Audio Amp Speaker 4-CH Stereo 22W Class-AB Automotive 25-Pin(25+Tab) FLEXIWATT Tube

Manufacturer:	STMicroelectronics, Inc
Package/Case:	ZIP25
Product Type:	Amplifier ICs
Lifecycle:	Active



Images are for reference only

[Inquiry](#)

General Description

The TDA7387 is an AB class audio power amplifier, packaged in Flexiwatt 25 and designed for high end car radio applications. Based on a fully complementary PNP/NPN configuration, the TDA7387 allows a rail to rail output voltage swing with no need of bootstrap capacitors. The extremely reduced boundary components count allows very compact sets.

Key Features

High output power capability:

4 x 41 W / 4 Ω max.

4 x 41 W / 4 Ω max.

Low distortion

Low output noise

Standby function

Mute function

Automute at min. supply voltage detection

Low external component count:

Internally fixed gain (26 dB)

No external compensation

No bootstrap capacitors

Internally fixed gain (26 dB)

No external compensation

No bootstrap capacitors

Protections:

Output short circuit to GND, to VS, across the load

Very inductive loads

OVERRATING chip temperature with soft thermal limiter

Load dump voltage

Fortuitous open GND

Reversed battery

ESD

Output short circuit to GND, to VS, across the load

Very inductive loads

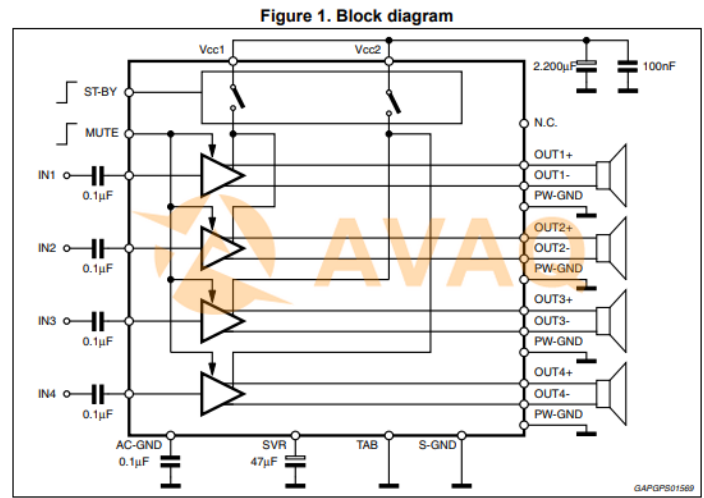
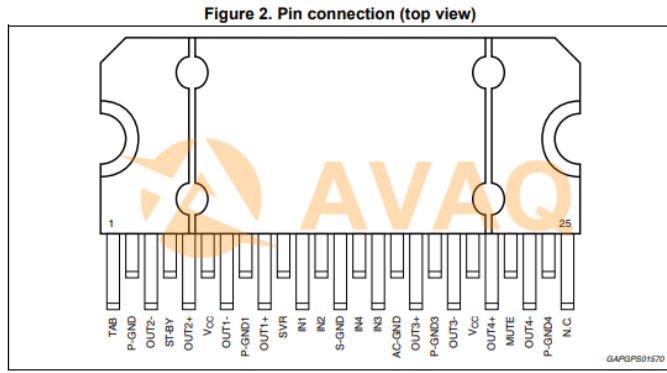
OVERRATING chip temperature with soft thermal limiter

Load dump voltage

Fortuitous open GND

Reversed battery

ESD



Recommended For You

TDA7387EP

STMicroelectronics, Inc
ZIP25

TDA7562

STMicroelectronics, Inc
ZIP27

TDA7296

STMicroelectronics, Inc
ZIP-15

TDA7419

STMicroelectronics, Inc
SOP28

TDA7561

STMicroelectronics, Inc
ZIP

TDA7575B

STMicroelectronics, Inc
ZIP27

TDA7376B

STMicroelectronics, Inc
ZIP-15

TDA7851L

STMicroelectronics, Inc
ZIP-25

TDA7417

STMicroelectronics, Inc
QFP

TDA2005R

STMicroelectronics, Inc
ZIP

TDA7801

STMicroelectronics, Inc
ZIP27

TDA7388A

STMicroelectronics, Inc
ZIP-27

TDA7850A

STMicroelectronics, Inc
ZIP27

TDA7563ASM

STMicroelectronics, Inc
ZIP-27

TDA75610LV

STMicroelectronics, Inc
ZIP27