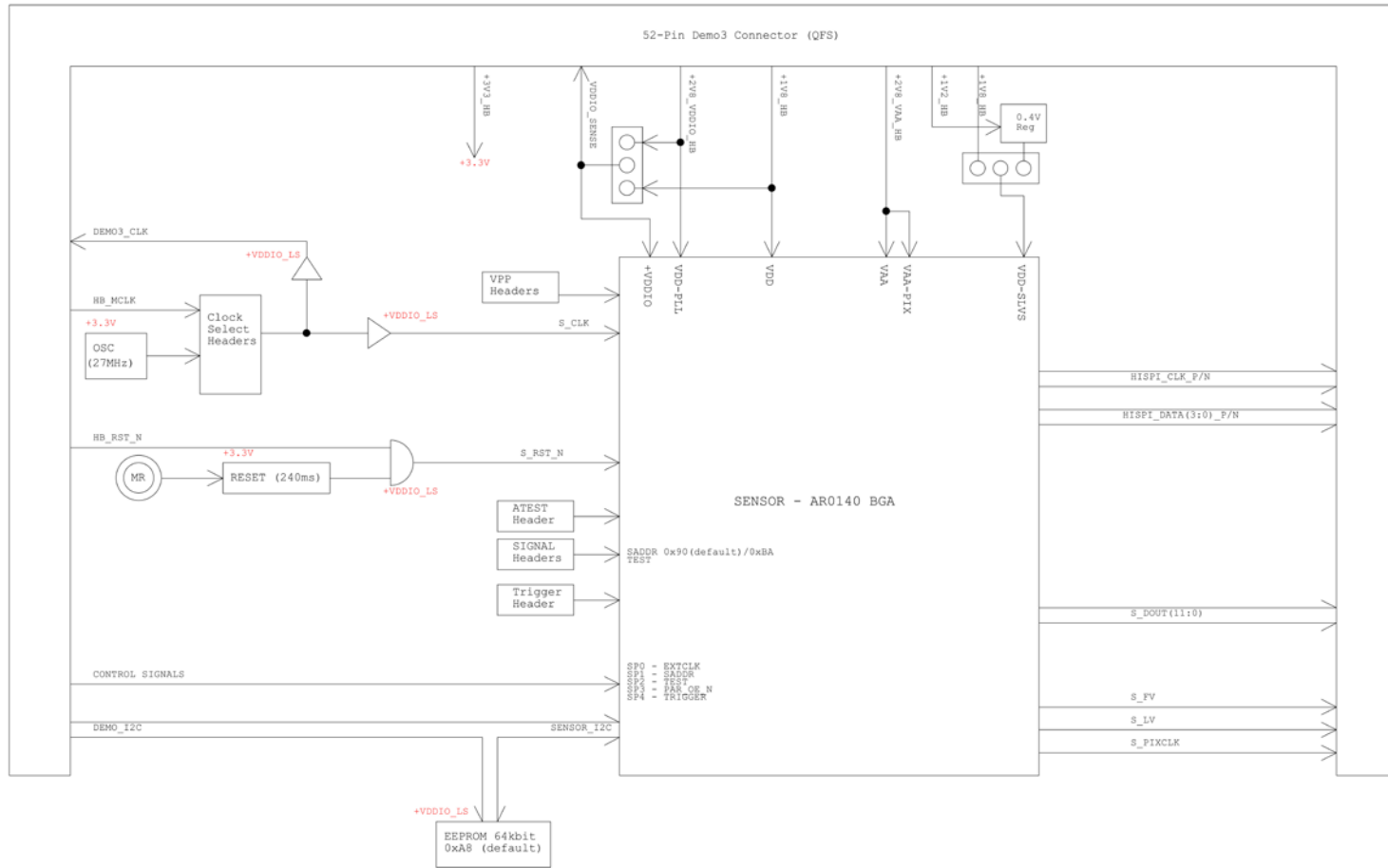
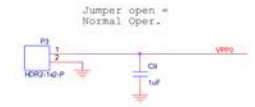
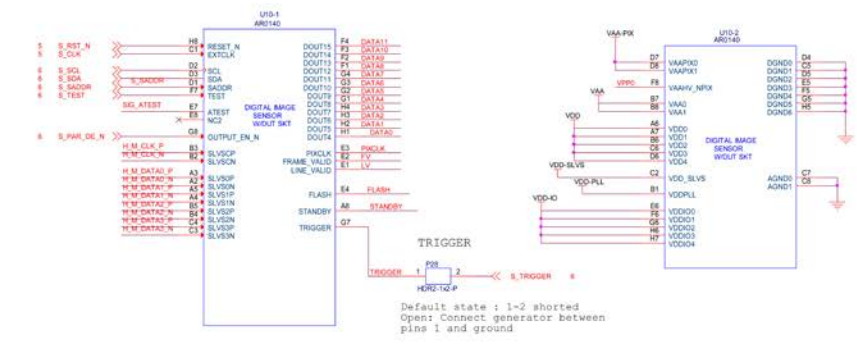
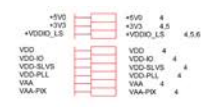


Schematic for the AR0140AT3C00XUEAH3-GEVB Evaluation Board

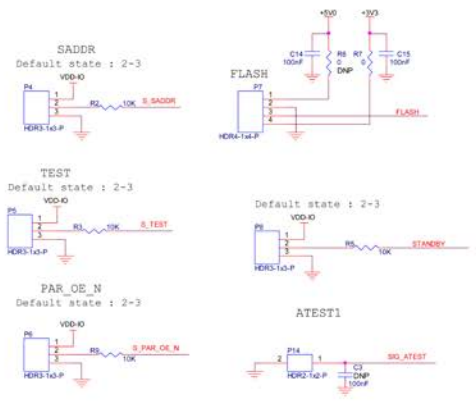
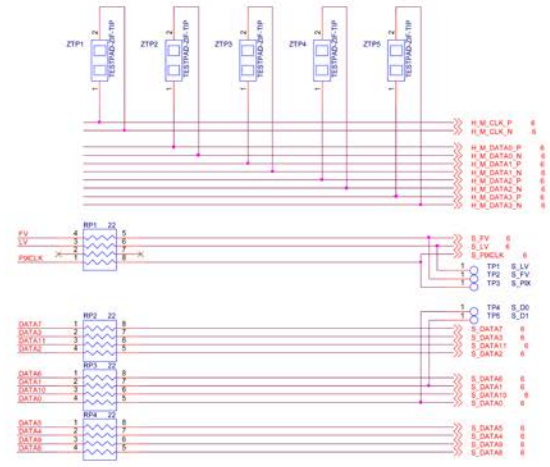
Block Diagram



Sensor

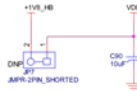


(Note for layout: - Place these testpads near the Demo3 I/F connector at the top side of PCB)

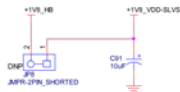


Debug Headers: Cut away the shorted trace and mount header for power debugging

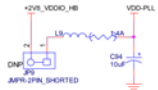
VDD 1.8V SUPPLY



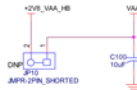
VDD-SLVS 1.8V SUPPLY



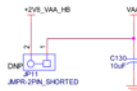
VDD-PLL 2.8V SUPPLY



VAA 2.8V SUPPLY

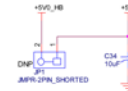


VAA-PIX 2.8V SUPPLY



Power

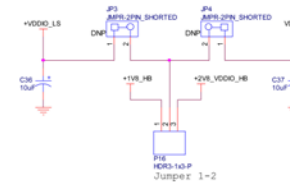
PERIPHERAL 5V SUPPLY



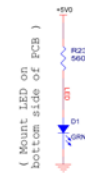
PERIPHERAL 3.3V SUPPLY



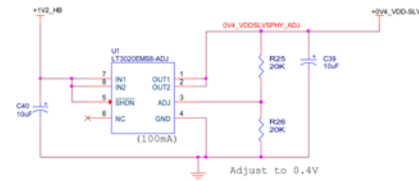
VDDIO & VDDIO LS 1.8V/2.8V SUPPLY



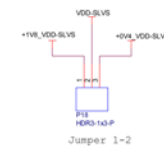
5V LED



VDDSLVSPHY 0.4V SUPPLY



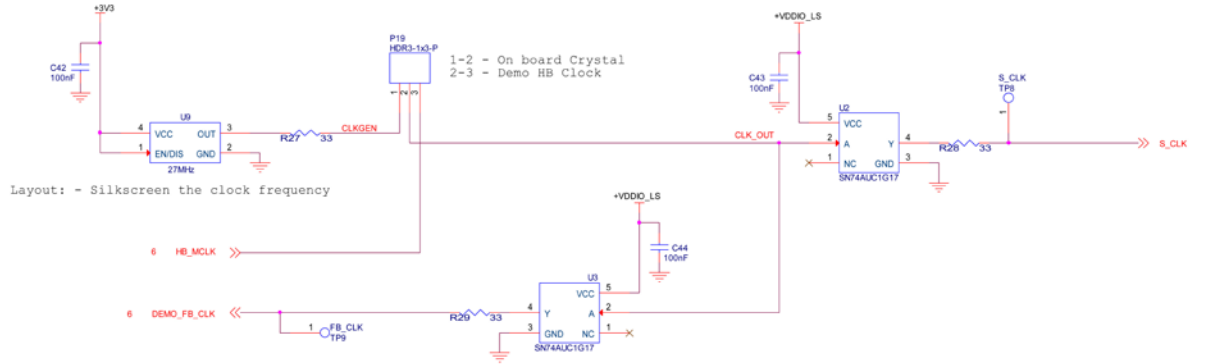
Selection of 0.4V or 1.2V/1V8 for VDDSLVSPHY supply



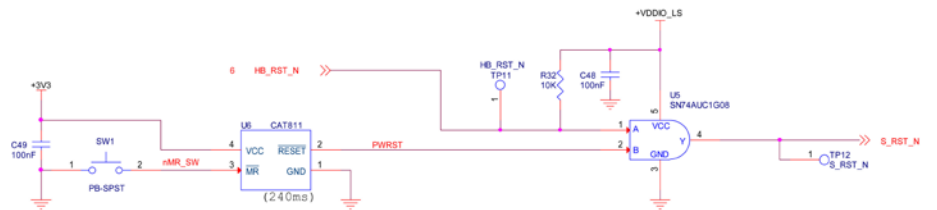
Clock and Reset

+5V0	3,4
+3V3	3,4
+VDDIO_L5	4,6

CLOCK CIRCUIT



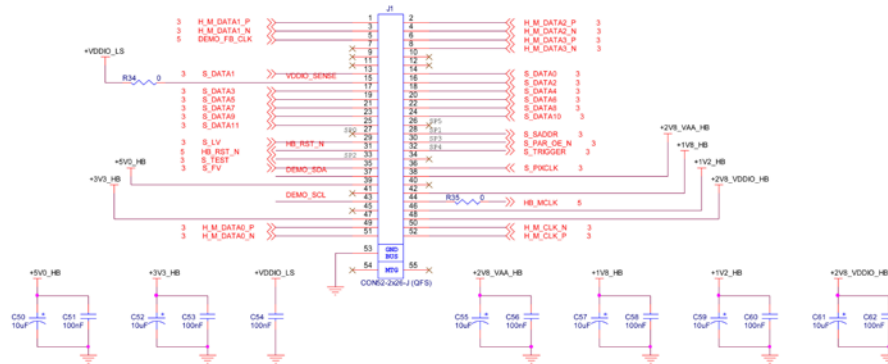
RESET CIRCUIT



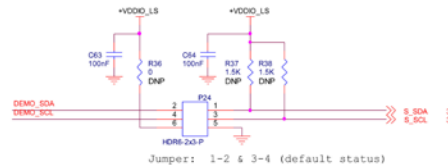
External Interface

+5V0_HB	4	+5V0_HB	4
+3V3_HB	4	+3V3_HB	4
+2V8_VAA_HB	4	+2V8_VAA_HB	4
+2V8_VDDIO_HB	4	+2V8_VDDIO_HB	4
+1V8_HB	4	+1V8_HB	4
+1V2_HB	4	+1V2_HB	4
+3V3	3.4.5	+3V3	3.4.5
+VDDIO_LS	4.5	+VDDIO_LS	4.5

DEMO3 BASEBOARD I/F



I2C DEBUG



LENS CORRECTION EEPROM

