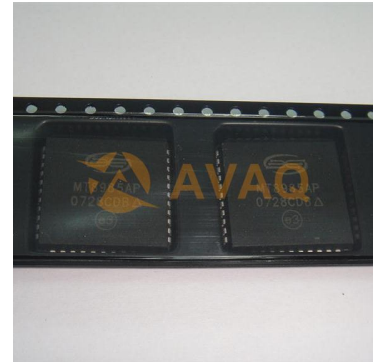


Switch Fabric 256 x 256 16.384Mbps 5V 44-Pin PLCC Tube

Manufacturer:	Microchip Technology, Inc
Package/Case:	PLCC
Product Type:	Communication & Networking ICs
RoHS:	RoHS Compliant/Lead free
Lifecycle:	Obsolete



Images are for reference only

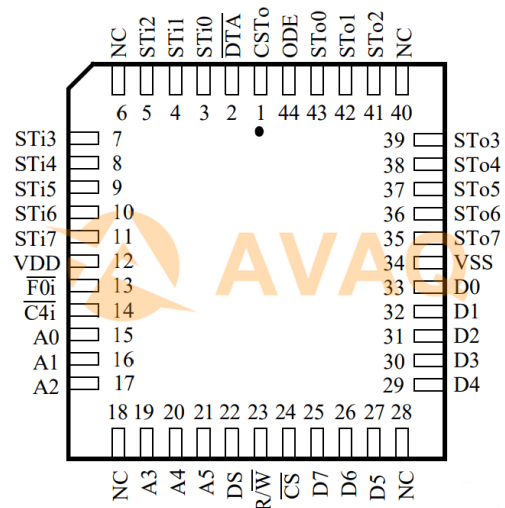
[Inquiry](#)

General Description

Avaq Semiconductor offers the highly versatile and reliable MT8985AP1 driver, produced by Microchip Technology, Inc. With its multifunctional and high-performance capabilities, this component is an excellent choice for a wide range of electronic projects.

To ensure that you have all the necessary information to make the most of this component, Avaq provides a free datasheet PDF, as well as circuit diagrams, pin layouts, pin details, pin voltage ratings, and equivalent components for the MT8985AP1.

Avaq also offers free samples. Simply fill out and submit the sample request form to receive your free samples for testing. If you have any questions, please feel free to contact us at ar



Recommended For You

MI90869AG2

Microchip Technology, Inc
BGA

MI90812API

Microchip Technology, Inc
68LPLCC24.2x24.2

MI90823AL1

Microchip Technology, Inc
100-BQFP

MI8808AP

Microchip Technology, Inc
PLCC

MI8806AP

Microchip Technology, Inc
PLCC28

MI8804AE

Microchip Technology, Inc
DIP

MI8816AP

Microchip Technology, Inc
PLCC44

MI8809AP

Microchip Technology, Inc
PLCC28

MI8808AE

Microchip Technology, Inc
DIP

MI8806AE

Microchip Technology, Inc
DIP

MI90870AG

Microchip Technology, Inc
BGA

MI093AE

Microchip Technology, Inc
DIP40

MI90869AG

Microchip Technology, Inc
BGA

MI90823ABI

Microchip Technology, Inc
LQFP100

MI90840APR1

Microchip Technology, Inc
BGA