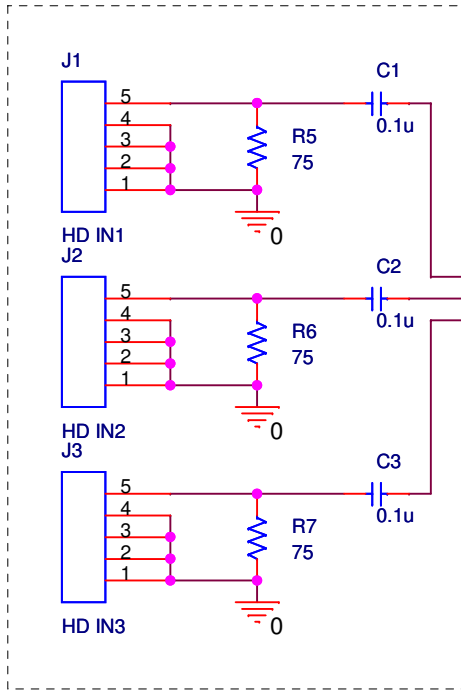
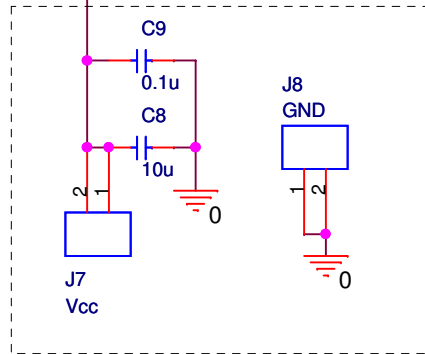
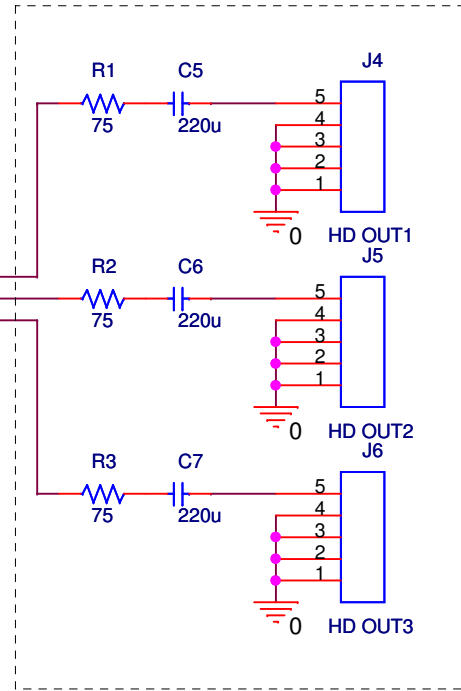


NCS2563

Inputs

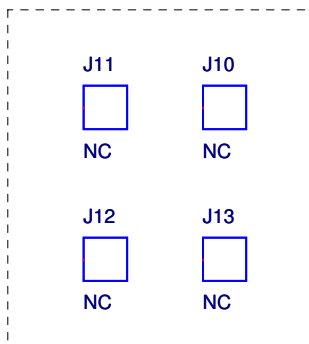


Outputs

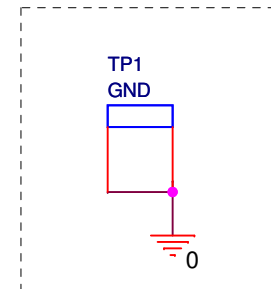


Power Supply

Standoffs



Test Point



ON Semiconductor		
Title NCS2563 Evaluation Board		
Size A	Document Number NCS2563DGEVB	Rev A
Date: Friday, November 12, 2010	Sheet 1	of 1